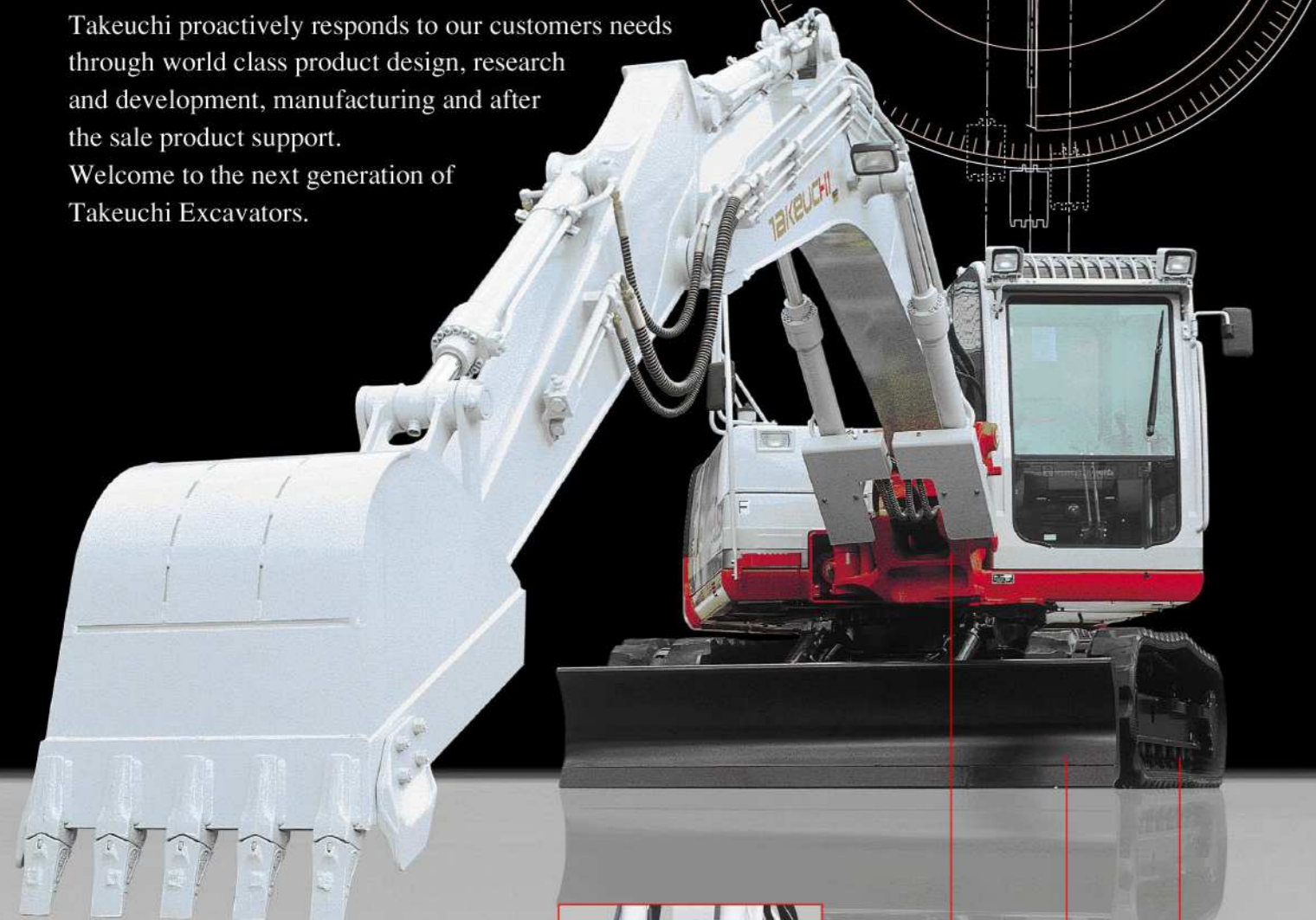
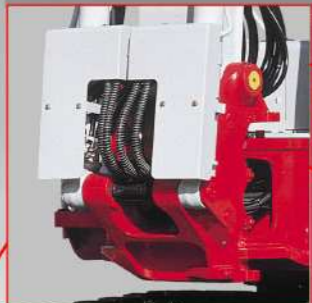


# TECHNOLOGY MEETS QUALITY

Takeuchi proactively responds to our customers needs through world class product design, research and development, manufacturing and after the sale product support. Welcome to the next generation of Takeuchi Excavators.



## PRINCIPLE FEATURES of the TB1140



**Boom Swing**  
for digging side ditches



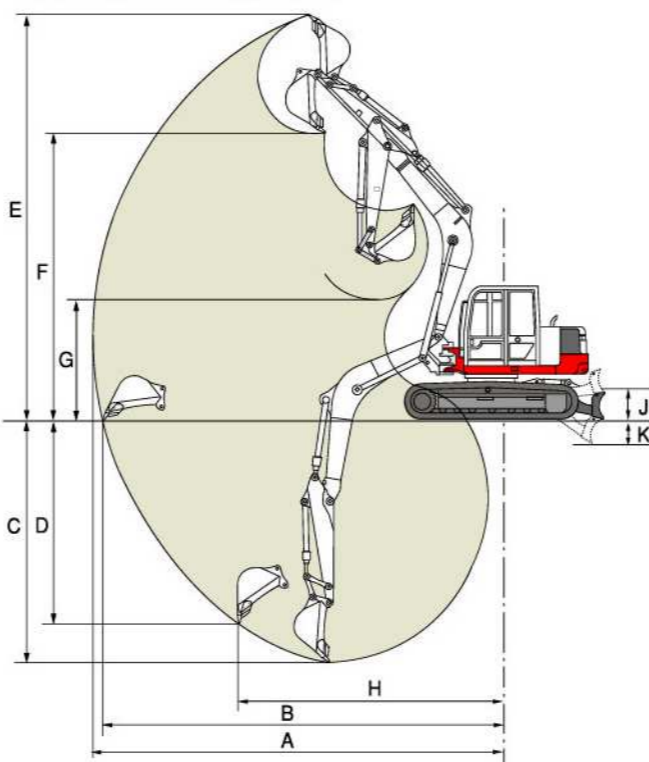
**Dozer Blade**  
for ground leveling



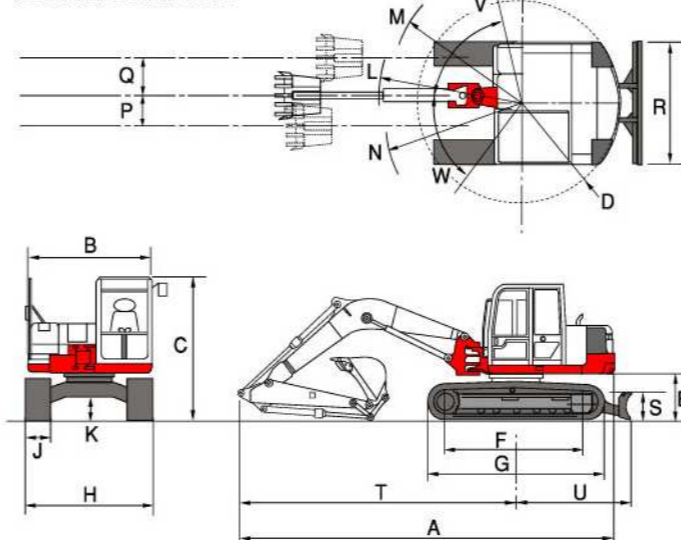
**Rubber Tracks**  
for comfortable operating

# TAKEUCHI

### OPERATING RANGE : mm



### DIMENSION : mm



Item	Standard Arm		Long arm	
	Rubber Crawlers	Steel Crawlers	Rubber Crawlers	Steel Crawlers
A Max. Digging Radius	8280	←	8755	←
B Max. Floor Digging Radius	8080	←	8570	←
C Max. Digging Depth	4990	5000	5490	5500
D Max. Vertical Digging Depth	4145	4150	4630	4635
E Max. Digging Height	8305	8300	8665	8660
F Max. Dumping Height	5855	5850	6215	6210
G Min. Dumping Height	2335	2330	1850	1845
H Max. Vertical Digging Radius	5240	←	5355	←
J Max. Raising Height	510	500	510	500
K Max. Lowering Depth	490	500	490	500

Units:mm

A	7725	M	2255
B	2460	N	2665
C	2785	P	625
D	2000	Q	760
E	920	R	2490
F	2880	S	550
G	3590	T	5725
H	2490	U	2340
J	500	V	77
K	450	W	53
L	2855		

### SPECIFICATIONS TB1140 ( Cab, Rubber Tracked, Standard Arm, Breaker Piping Standard, Fops Cabin) (Steel Tracked: Option)

<b>WEIGHT</b>	Machine Weight kg	14230	Rear Slew Radius	2000	<b>OPERATING RANGE : mm</b>	Max. Dig Depth	4990
<b>BUCKET</b>	Bucket Capa m <sup>3</sup>	0.34(Struck)/ 0.45 (Heaped)	Min. Ground Clearance	450	<b>PERFORMANCE</b>	Max. Vertical Dig Depth	4145
	Bucket Width mm	970	<b>TRACTION SYSTEM : mm</b>	550(500)	Traction Speed km/h	3.0/5.3	
<b>DIESEL ENGINE (Water-Cooled)</b>	Model	ISUZU BB-4BG1TRE	Operating Range up/down	510 / 490	Upper Slew Speed rpm	13.8	
	Type	4CYL 4CYCL	OFF-SET DIG FUNCTION	Type	Gradeability deg	35	
	Rated Output kW	62.2/2050rpm	Swing Angle RH/LH	53°/77°	Max Dig Power Bucket kN	98.7	
	Max. Torque Nm	304	<b>DOZER BLADE : mm</b>	Width x Height	Max Dig Power Arm kN	64.9	
	Displacement cc	4329	Width x Height	550X2490	Ground Press kPa	41.7	
	Cool Water Capa. lit	21	Operating Range up/down	510 / 490	<b>HYDRAULIC SYSTEM</b>		
	Lub. Oil Capa lit	15.8(MAX)	OFF-SET DIG FUNCTION	Type	Pump type	Variable (P1+P2)+Gear (P3+P4)	
	Fuel Tank Capa lit	233	Swing Angle RH/LH	53°/77°	Set Press MPa	34.3x2+23.6+3.9	
<b>OVERALL DIMENSION:mm</b>	Length (in transport)	7725	<b>TRACTION SYSTEM : mm</b>	Crawler (Track)	Discharge l/min	106.6x2+51.9+20.5	
	Width	2490	Crawler (Track)	Rubber / Steel	Breaker & Service Port l/min	106.6	
	Height	2785	Track Width RT (ST)	500(500)	Slew Motor	Axial Piston	
					Traction Motor	Axial Piston	
					Hydraulic Tank Capa lit	95	

WORLD CREATOR OF COMPACT EXCAVATOR  
**TAKEUCHI MFG.CO.,LTD.**

205-3,Uwadaira,Sakaki-machi, Hanisina-gun.  
Nagano 389-0605,Japan  
Phone (81)268-81-1112  
Telefax (81)268-81-1121  
URL <http://www.takeuchi-mfg.co.jp>  
E-mail:marketing@takeuchi-mfg.co.jp



In accordance with our established policy of constant improvement, we reserve the right to amend this specification at any time without notice. Printed in Japan. TK 040250

# FULL HYDRAULIC EXCAVATOR TB1140

Machine Weight : 14230 kg



# TAKEUCHI